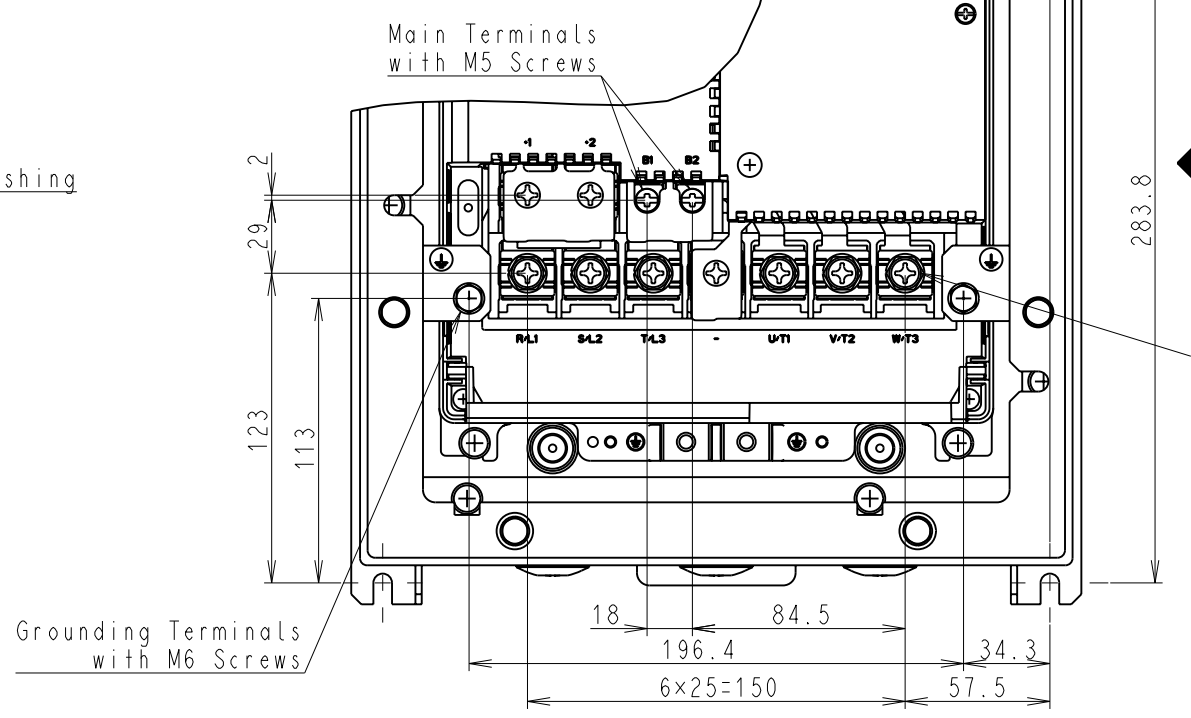
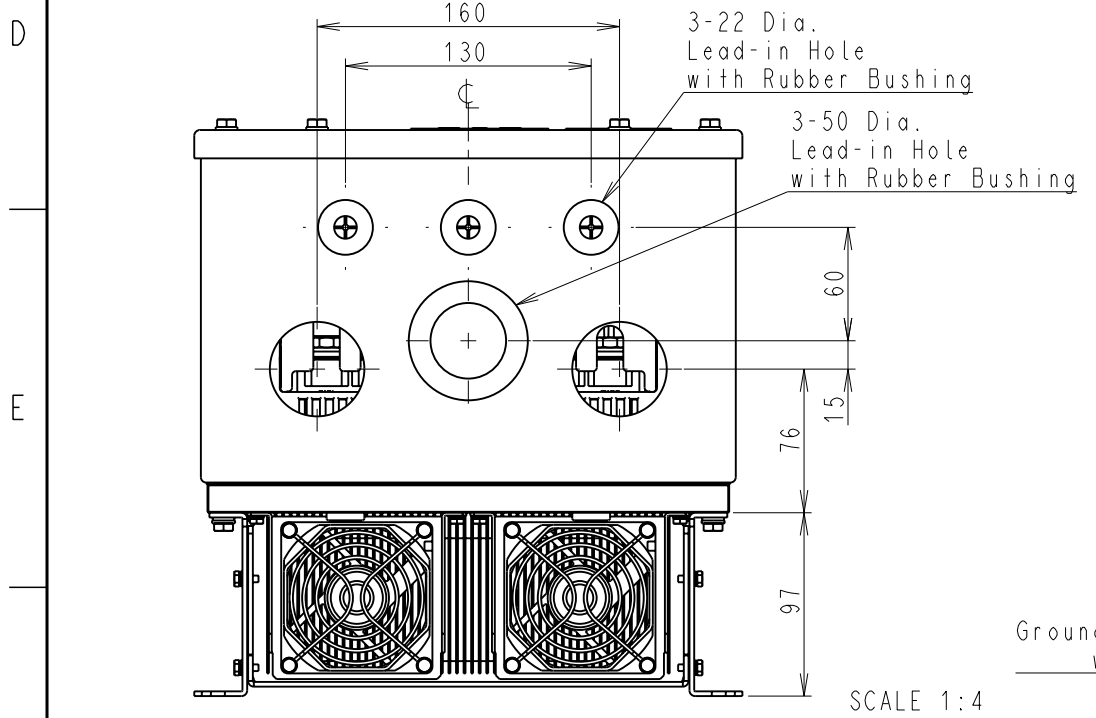
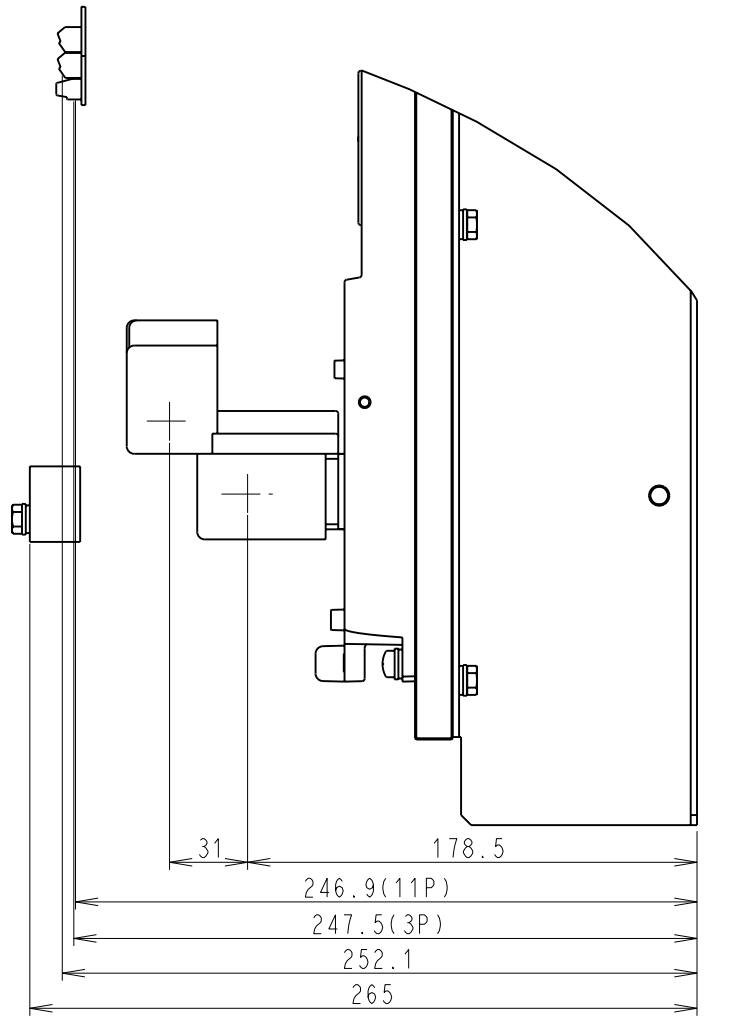
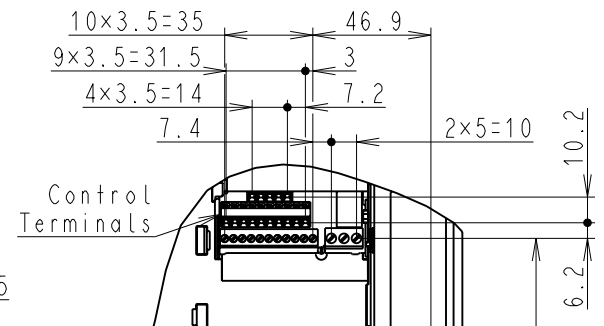
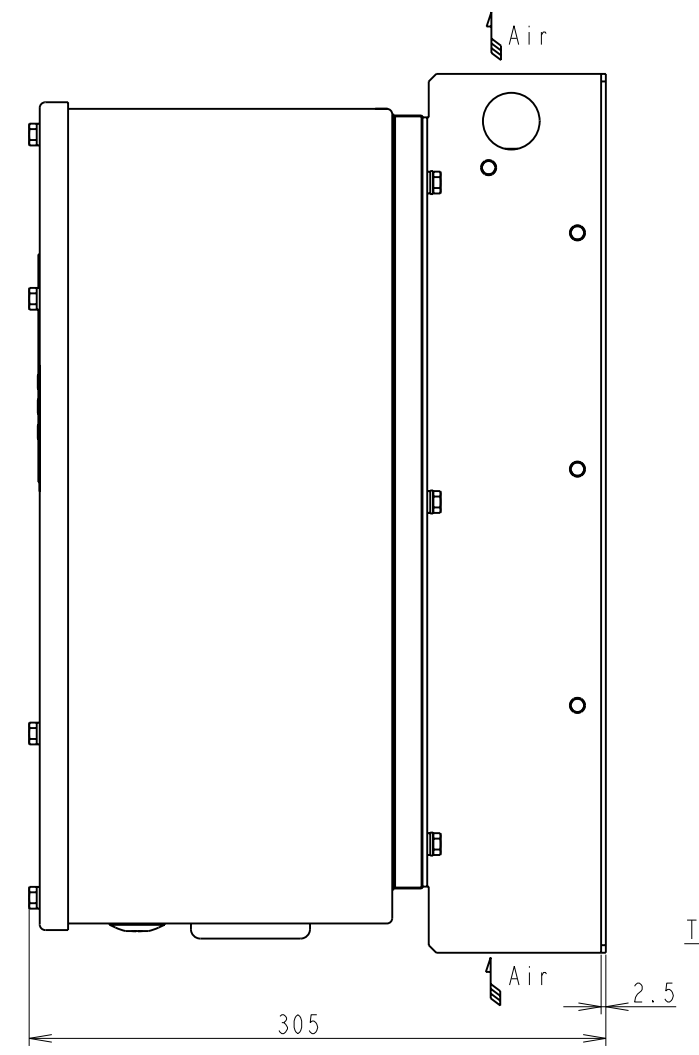
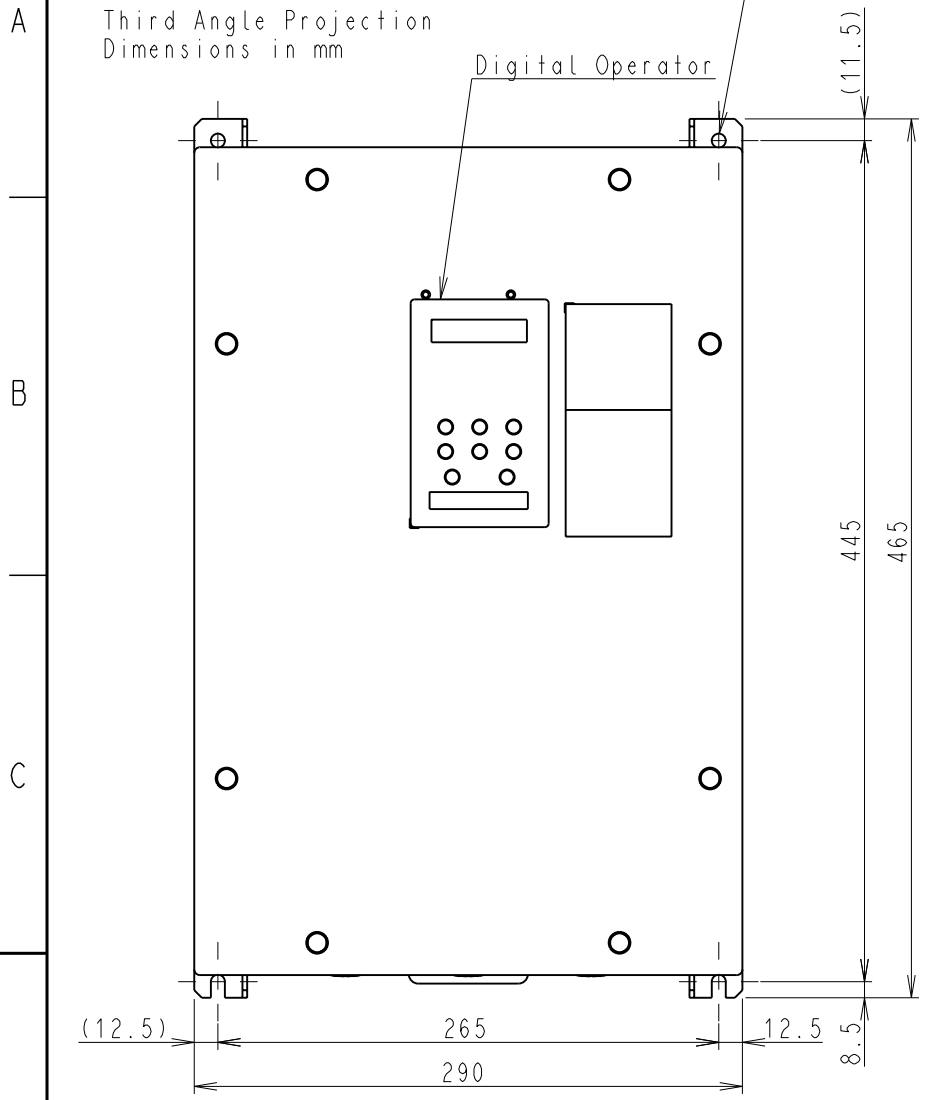


DWG. NO. EZZ901738-1/1

Model No.	Max Appli. Motor (kW)		Terminal Symbol			Cooling Fan	Mass (kg)
	Normal Duty	Heavy Duty	INPUT	OUTPUT(MOTOR)			
CIMR-V#2A0069G	18.5	15	R/L1 S/L2 T/L3	U/T1	V/T2 W/T3	2	27.7

#:A,U



Main Terminal Location

+1	+2	B1	B2			
R/L1	S/L2	T/L3	-	U/T1	V/T2	W/T3

Detail (without Front cover) SCALE 1:3

REVISIONS	Nov. 27, 2008 T.Koura		DRAW. Jul,17,2008 N.Koga	TITLE V1000 NEMA4X/IP66 TYPE DIMENSION DIAGRAM	DWG. NO. EZZ901738	1  1	REV.
			CHECK Jul,17,2008 K.Fukuda				
			APPR. Jul,17,2008 H.Okayama				